

# Cheshire

Traditional double-ended bath



- Traditional freestanding design
- Made from QUARRRYCAST® - an exclusive one piece casting
- Easy clean high gloss finish
- Exterior and feet can be painted
- 25 year guarantee

#### Recommended Waste

K2 Concealed Push Control - Chrome

#### Alternative Waste

K3 Exposed Plug & Chain - Chrome or Gold

K9 Concealed Pop-up - Chrome

K14 Exposed Push Control - Chrome

**NB:** For the full range of Victoria & Albert® brassware suitable for the Cheshire, please refer to the price list

#### Options to be Specified

##### Bath:

- **Predrilled tap holes**  
2 at 180mm centres
- **No tap holes**  
Suitable for freestanding or wall mounted taps - or special order brassware requiring bespoke on-site drilling of holes.

##### Feet:

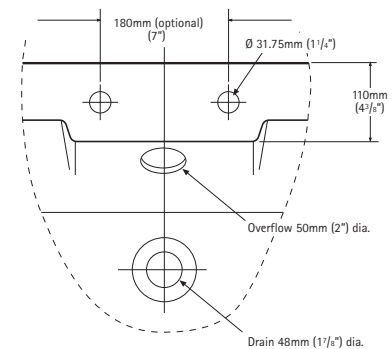
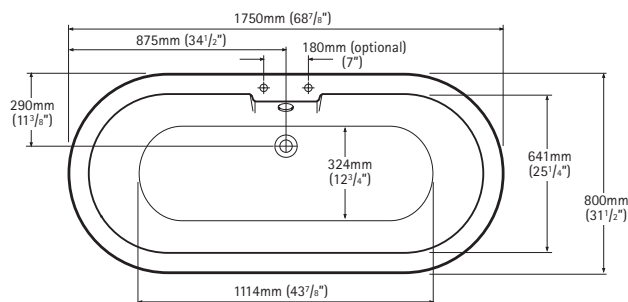
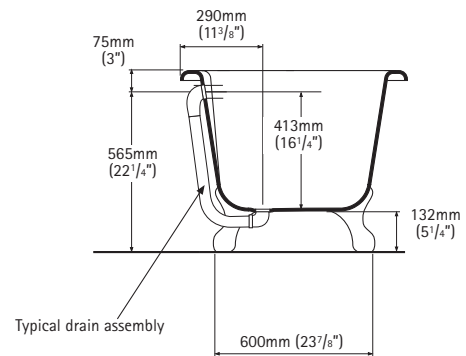
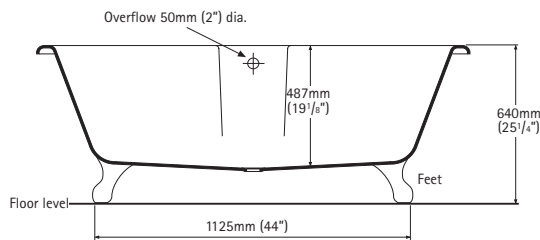
- Decorative QUARRRYCAST® ball and claw feet  
- White
- Decorative cast metal ball and claw feet  
- Chrome, Gold or Black
- Decorative QUARRRYCAST® modern feet  
- White

**Note:** For product specifications please see over

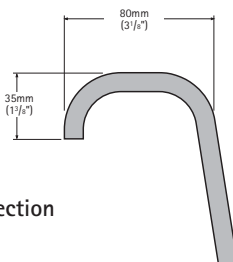


# Cheshire

## Traditional double-ended bath



Rear Tap Ledge



Typical Rim Section

### General specifications for Cheshire bath

Installed size	1750mm x 800mm x 640mm
Weight	57kg
Weight with water	333kg
Litres to overflow	276 litres
Bathing well at sump	324mm x 1114mm
Bathing well at rim	641mm x 1590mm
Water depth to overflow	413mm

### Notes

Refer to installation instructions supplied with bath for additional information. The feet supplied support sump of bath. No additional support required.

Fittings (taps & drain assembly) not included and must be ordered separately. If installing deck mounted brassware refer to 'drilling tap holes' instructions before installation.

### Important

Dimension of fixtures are nominal and may vary within the range of tolerances established by ANSI standard A112.19.4M.

These measurements are subject to change or cancellation.

No responsibility is assumed for use of superseded or void leaflet.